

ERROR CODE	PROBABLE CAUSE
1	RF COMMUNICATION PROBLEM
2	
3	FAULTY CIRCUIT TO RIGHT OUTPUT
4	FAULTY CIRCUIT TO LEFT OUTPUT
5	FAULTY CIRCUIT TO LEFT OUTPUT
6	
7	
8	
9	

ERROR CODE	PROBABLE CAUSE
1	LOW BATTERY
2	
3	FAULTY CIRCUIT TO RIGHT OUTPUT
4	FAULTY CIRCUIT TO LEFT OUTPUT
5	FAULTY CIRCUIT TO LEFT OUTPUT
6	
7	
8	
9	

INTERNAL RECHARGABLE BATTERY
 USE ONLY APPROVED CHARGERS
 BE0172A = MICRO WALL CHARGER
 BE0173A = MICRO CIGARETTE CHARGER

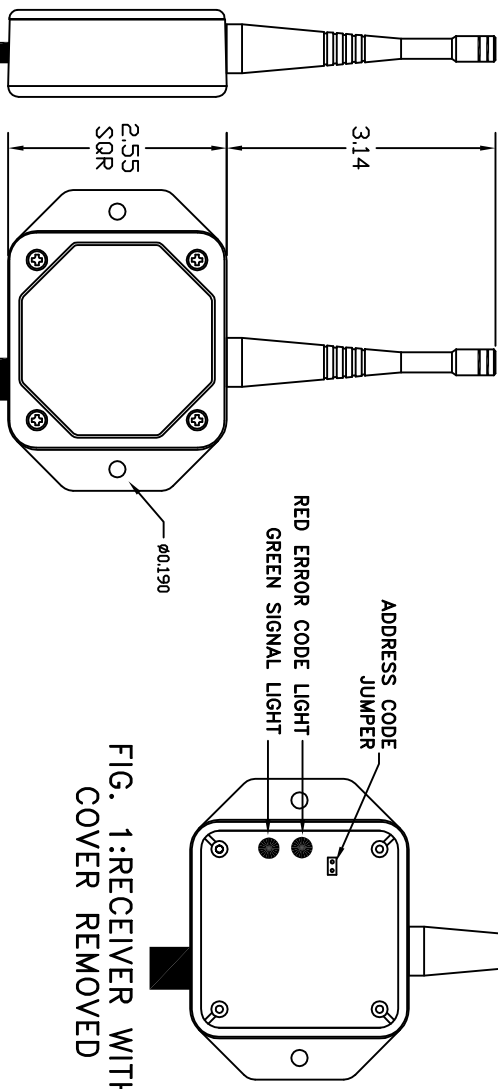
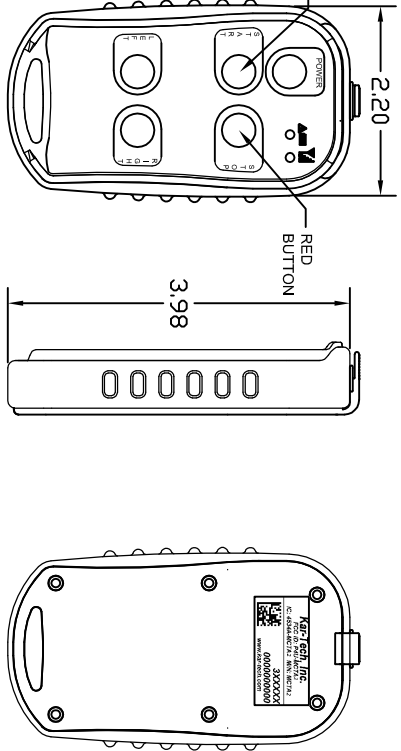


FIG. 1: RECEIVER WITH COVER REMOVED

- PL12 PIN DEUTSCH DTM04-12PA
 MATES WITH DEUTSCH DTM06-12SA
- | PIN# | DESCRIPTION |
|------|--------------------------------|
| 1 | GROUND |
| 2 | NO CONNECTION |
| 3 | NO CONNECTION |
| 4 | NO CONNECTION |
| 5 | STOP OUTPUT (BUTTON #1) |
| 6 | NO CONNECTION |
| 7 | NO CONNECTION |
| 8 | NO CONNECTION |
| 9 | STEER RIGHT OUTPUT (BUTTON #3) |
| 10 | START OUTPUT (BUTTON #2) |
| 11 | STEER LEFT OUTPUT (BUTTON #4) |
| 12 | POWER (9 TO 35 VDC) |

4 OUTPUT RECEIVER (P/N: 3A0103D,E)

TRANSMITTER (P/N: 3A0108A)

Lights:
 There is a Green and a Red light both inside the receiver and on the transmitter. The Green LED on the transmitter and receiver blinks every 1/2 second if there is communication between the transmitter and the receiver. It will blink once a second if there is no communication (i.e.: no power to the receiver). The Red LED blinks a number of times for each output if there is a short or an open to that output. For example 4 blinks and a pause means output number 3 has a problem. The transmitter's Red LED also blinks once every second if the batteries are low and need to be replaced.

Address programming:
 There are over 64000 different addresses (identities) for each transmitter and receiver. In many cases both transmitters and receivers are matched at the factory. If matching is required:

1. Remove receiver cover.
2. Apply power to the receiver.
3. Place a jumper across the address code jumper inside the receiver (see Fig. 1). Both green and red lights will toggle inside the receiver.
4. Press and hold the Power button for 10 seconds. At this point, both lights will toggle on the transmitter.
5. Release the Power button and wait for 1 second or until the green and red lights stop toggling in the receiver.
6. Remove Jumper.
7. Replace cover.

Specifications:
 RF: 900 MHz FHSS 10 mW
 Temperature: Operation: -40 to +85 Degree C
 Storage: -55 to 100 Degree C
 Output Rating: 5 Amps max. each sourcing
 Encapsulated electronics inside receiver.

REV.	BY	DATE	RELEASED	DESCRIPTION	DATE	BY	DATE	REVISION	REVISION	REVISION	REVISION
REV	BY	11-19-12	RELEASED	DESCRIPTION	DATE	BY	11-19-12	REVISION	REVISION	REVISION	REVISION
REV	BY	11-19-12	RELEASED	DESCRIPTION	DATE	BY	11-19-12	REVISION	REVISION	REVISION	REVISION
REV	BY	11-19-12	RELEASED	DESCRIPTION	DATE	BY	11-19-12	REVISION	REVISION	REVISION	REVISION

REV.	BY	DATE	RELEASED	DESCRIPTION	DATE	BY	DATE	REVISION	REVISION	REVISION	REVISION
REV	BY	11-19-12	RELEASED	DESCRIPTION	DATE	BY	11-19-12	REVISION	REVISION	REVISION	REVISION
REV	BY	11-19-12	RELEASED	DESCRIPTION	DATE	BY	11-19-12	REVISION	REVISION	REVISION	REVISION
REV	BY	11-19-12	RELEASED	DESCRIPTION	DATE	BY	11-19-12	REVISION	REVISION	REVISION	REVISION

REV.	BY	DATE	RELEASED	DESCRIPTION	DATE	BY	DATE	REVISION	REVISION	REVISION	REVISION
REV	BY	11-19-12	RELEASED	DESCRIPTION	DATE	BY	11-19-12	REVISION	REVISION	REVISION	REVISION
REV	BY	11-19-12	RELEASED	DESCRIPTION	DATE	BY	11-19-12	REVISION	REVISION	REVISION	REVISION
REV	BY	11-19-12	RELEASED	DESCRIPTION	DATE	BY	11-19-12	REVISION	REVISION	REVISION	REVISION

REV.	BY	DATE	RELEASED	DESCRIPTION	DATE	BY	DATE	REVISION	REVISION	REVISION	REVISION
REV	BY	11-19-12	RELEASED	DESCRIPTION	DATE	BY	11-19-12	REVISION	REVISION	REVISION	REVISION
REV	BY	11-19-12	RELEASED	DESCRIPTION	DATE	BY	11-19-12	REVISION	REVISION	REVISION	REVISION
REV	BY	11-19-12	RELEASED	DESCRIPTION	DATE	BY	11-19-12	REVISION	REVISION	REVISION	REVISION

REV.	BY	DATE	RELEASED	DESCRIPTION	DATE	BY	DATE	REVISION	REVISION	REVISION	REVISION
REV	BY	11-19-12	RELEASED	DESCRIPTION	DATE	BY	11-19-12	REVISION	REVISION	REVISION	REVISION
REV	BY	11-19-12	RELEASED	DESCRIPTION	DATE	BY	11-19-12	REVISION	REVISION	REVISION	REVISION
REV	BY	11-19-12	RELEASED	DESCRIPTION	DATE	BY	11-19-12	REVISION	REVISION	REVISION	REVISION

REV.	BY	DATE	RELEASED	DESCRIPTION	DATE	BY	DATE	REVISION	REVISION	REVISION	REVISION
REV	BY	11-19-12	RELEASED	DESCRIPTION	DATE	BY	11-19-12	REVISION	REVISION	REVISION	REVISION
REV	BY	11-19-12	RELEASED	DESCRIPTION	DATE	BY	11-19-12	REVISION	REVISION	REVISION	REVISION
REV	BY	11-19-12	RELEASED	DESCRIPTION	DATE	BY	11-19-12	REVISION	REVISION	REVISION	REVISION

REV.	BY	DATE	RELEASED	DESCRIPTION	DATE	BY	DATE	REVISION	REVISION	REVISION	REVISION
REV	BY	11-19-12	RELEASED	DESCRIPTION	DATE	BY	11-19-12	REVISION	REVISION	REVISION	REVISION
REV	BY	11-19-12	RELEASED	DESCRIPTION	DATE	BY	11-19-12	REVISION	REVISION	REVISION	REVISION
REV	BY	11-19-12	RELEASED	DESCRIPTION	DATE	BY	11-19-12	REVISION	REVISION	REVISION	REVISION

REV.	BY	DATE	RELEASED	DESCRIPTION	DATE	BY	DATE	REVISION	REVISION	REVISION	REVISION
REV	BY	11-19-12	RELEASED	DESCRIPTION	DATE	BY	11-19-12	REVISION	REVISION	REVISION	REVISION
REV	BY	11-19-12	RELEASED	DESCRIPTION	DATE	BY	11-19-12	REVISION	REVISION	REVISION	REVISION
REV	BY	11-19-12	RELEASED	DESCRIPTION	DATE	BY	11-19-12	REVISION	REVISION	REVISION	REVISION

REV.	BY	DATE	RELEASED	DESCRIPTION	DATE	BY	DATE	REVISION	REVISION	REVISION	REVISION
REV	BY	11-19-12	RELEASED	DESCRIPTION	DATE	BY	11-19-12	REVISION	REVISION	REVISION	REVISION
REV	BY	11-19-12	RELEASED	DESCRIPTION	DATE	BY	11-19-12	REVISION	REVISION	REVISION	REVISION
REV	BY	11-19-12	RELEASED	DESCRIPTION	DATE	BY	11-19-12	REVISION	REVISION	REVISION	REVISION

REV.	BY	DATE	RELEASED	DESCRIPTION	DATE	BY	DATE	REVISION	REVISION	REVISION	REVISION
REV	BY	11-19-12	RELEASED	DESCRIPTION	DATE	BY	11-19-12	REVISION	REVISION	REVISION	REVISION
REV	BY	11-19-12	RELEASED	DESCRIPTION	DATE	BY	11-19-12	REVISION	REVISION	REVISION	REVISION
REV	BY	11-19-12	RELEASED	DESCRIPTION	DATE	BY	11-19-12	REVISION	REVISION	REVISION	REVISION

REV.	BY	DATE	RELEASED	DESCRIPTION	DATE	BY	DATE	REVISION	REVISION	REVISION	REVISION
REV	BY	11-19-12	RELEASED	DESCRIPTION	DATE	BY	11-19-12	REVISION	REVISION	REVISION	REVISION
REV	BY	11-19-12	RELEASED	DESCRIPTION	DATE	BY	11-19-12	REVISION	REVISION	REVISION	REVISION
REV	BY	11-19-12	RELEASED	DESCRIPTION	DATE	BY	11-19-12	REVISION	REVISION	REVISION	REVISION

REV.	BY	DATE	RELEASED	DESCRIPTION	DATE	BY	DATE	REVISION	REVISION	REVISION	REVISION
REV	BY	11-19-12	RELEASED	DESCRIPTION	DATE	BY	11-19-12	REVISION	REVISION	REVISION	REVISION
REV	BY	11-19-12	RELEASED	DESCRIPTION	DATE	BY	11-19-12	REVISION	REVISION	REVISION	REVISION
REV	BY	11-19-12	RELEASED	DESCRIPTION	DATE	BY	11-19-12	REVISION	REVISION	REVISION	REVISION

REV.	BY	DATE	RELEASED	DESCRIPTION	DATE	BY	DATE	REVISION	REVISION	REVISION	REVISION
REV	BY	11-19-12	RELEASED	DESCRIPTION	DATE	BY	11-19-12	REVISION	REVISION	REVISION	REVISION
REV	BY	11-19-12	RELEASED	DESCRIPTION	DATE	BY	11-19-12	REVISION	REVISION	REVISION	REVISION
REV	BY	11-19-12	RELEASED	DESCRIPTION	DATE	BY	11-19-12	REVISION	REVISION	REVISION	REVISION

REV.	BY	DATE	RELEASED	DESCRIPTION	DATE	BY	DATE	REVISION	REVISION	REVISION	REVISION
REV	BY	11-19-12	RELEASED	DESCRIPTION	DATE	BY	11-19-12	REVISION	REVISION	REVISION	REVISION
REV	BY	11-19-12	RELEASED	DESCRIPTION	DATE	BY	11-19-12	REVISION	REVISION	REVISION	REVISION
REV	BY	11-19-12	RELEASED	DESCRIPTION	DATE	BY	11-19-12	REVISION	REVISION	REVISION	REVISION

REV.	BY	DATE	RELEASED	DESCRIPTION	DATE	BY	DATE	REVISION	REVISION	REVISION	REVISION
REV	BY	11-19-12	RELEASED	DESCRIPTION	DATE	BY	11-19-12	REVISION	REVISION	REVISION	REVISION
REV	BY	11-19-12	RELEASED	DESCRIPTION	DATE	BY	11-19-12	REVISION	REVISION	REVISION	REVISION
REV	BY	11-19-12	RELEASED	DESCRIPTION	DATE	BY	11-19-12	REVISION	REVISION	REVISION	REVISION

REV.	BY	DATE	RELEASED	DESCRIPTION	DATE	BY	DATE	REVISION	REVISION	REVISION	REVISION
REV	BY	11-19-12	RELEASED	DESCRIPTION	DATE	BY	11-19-12	REVISION	REVISION	REVISION	REVISION
REV	BY	11-19-12	RELEASED	DESCRIPTION	DATE	BY	11-19-12	REVISION	REVISION	REVISION	REVISION
REV	BY	11-19-12	RELEASED	DESCRIPTION	DATE	BY	11-19-12	REVISION	REVISION	REVISION	REVISION

REV.	BY	DATE	RELEASED	DESCRIPTION	DATE	BY	DATE	REVISION	REVISION	REVISION	REVISION
REV	BY	11-19-12	RELEASED	DESCRIPTION	DATE	BY	11-19-12	REVISION	REVISION	REVISION	REVISION
REV	BY	11-19-12	RELEASED	DESCRIPTION	DATE	BY	11-19-12	REVISION	REVISION	REVISION	REVISION
REV	BY	11-19-12	RELEASED	DESCRIPTION	DATE	BY	11-19-12	REVISION	REVISION	REVISION	REVISION

REV.	BY	DATE	RELEASED	DESCRIPTION	DATE	BY	DATE	REVISION	REVISION	REVISION	REVISION
REV	BY	11-19-12	RELEASED	DESCRIPTION	DATE	BY	11-19-12	REVISION	REVISION	REVISION	REVISION
REV	BY	11-19-12	RELEASED	DESCRIPTION	DATE	BY	11-19-12	REVISION	REVISION	REVISION	REVISION
REV	BY	11-19-12	RELEASED	DESCRIPTION	DATE	BY	11-19-12	REVISION	REVISION	REVISION	REVISION

REV.	BY	DATE	RELEASED	DESCRIPTION	DATE	BY	DATE	REVISION	REVISION	REVISION	REVISION
REV	BY	11-19-12	RELEASED	DESCRIPTION	DATE	BY	11-19-12	REVISION	REVISION	REVISION	REVISION
REV	BY	11-19-12	RELEASED	DESCRIPTION	DATE	BY	11-19-12	REVISION	REVISION	REVISION	REVISION
REV	BY	11-19-12	RELEASED	DESCRIPTION	DATE	BY	11-19-12	REVISION	REVISION	REVISION	REVISION

REV.	BY	DATE	RELEASED	DESCRIPTION	DATE	BY	DATE	REVISION	REVISION	REVISION	REVISION
REV	BY	11-19-12	RELEASED	DESCRIPTION	DATE	BY	11-19-12	REVISION	REVISION	REVISION	REVISION
REV	BY	11-19-12	RELEASED	DESCRIPTION	DATE	BY	11-19-12	REVISION	REVISION	REVISION	REVISION
REV	BY	11-19-12	RELEASED	DESCRIPTION	DATE	BY	11-19-12	REVISION	REVISION	REVISION	REVISION

REV.	BY	DATE	RELEASED	DESCRIPTION	DATE	BY	DATE	REVISION	REVISION	REVISION	REVISION
REV	BY	11-19-12	RELEASED	DESCRIPTION	DATE	BY	11-19-12	REVISION	REVISION	REVISION	REVISION
REV	BY	11-19-12	RELEASED	DESCRIPTION	DATE	BY	11-19-12	REVISION	REVISION	REVISION	REVISION
REV	BY	11-19-12	RELEASED	DESCRIPTION	DATE	BY	11-19-12	REVISION	REVISION	REVISION	REVISION

REV.	BY	DATE	RELEASED	DESCRIPTION	DATE	BY	DATE	REVISION	REVISION	REVISION	REVISION
REV	BY	11-19-12	RELEASED	DESCRIPTION	DATE	BY	11-19-12	REVISION	REVISION	REVISION	REVISION
REV	BY	11-19-12	RELEASED	DESCRIPTION	DATE	BY	11-19-12	REVISION	REVISION	REVISION	REVISION
REV	BY	11-19-12	RELEASED	DESCRIPTION	DATE	BY	11-19-12	REVISION	REVISION	REVISION	REVISION

REV.	BY	DATE	RELEASED	DESCRIPTION	DATE	BY	DATE	REVISION	REVISION	REVISION	REVISION
REV	BY	11-19-12	RELEASED	DESCRIPTION	DATE	BY	11-19-12	REVISION	REVISION	REVISION	REVISION
REV	BY	11-19-12	RELEASED	DESCRIPTION	DATE	BY	11-19-12	REVISION	REVISION	REVISION	REVISION
REV	BY	11-19-12	RELEASED	DESCRIPTION	DATE	BY	11-19-12	REVISION	REVISION	REVISION	REVISION